

EVOS™

Digital Inverted Microscope

User Guide



ADVANCED MICROSCOPY GROUP

18421 Bothell-Everett Hwy.
Suite 150
Mill Creek, WA 98012

Phone: (866) 614-4022 or (425) 368-0444

Fax: (425) 368-0555

E-mail: info@amgmicro.com

Web: www.amgmicro.com

The Microscope Evolved.

CONTENTS

GENERAL INFORMATION 2-3

- Environmental Concerns 2
- Special Precautions 2
- Electrical Information 2
- PLAIN STAGE Components 3
- MECHANICAL STAGE Components 3

SPECIFICATIONS 4

ASSEMBLY 5-6

- Stage Plate Assembly 5
 - Plain Stage 5
 - Mechanical Stage 5
 - Changing Stage Plates (Mechanical Stage) 5
- Power Cord Assembly 5
- Objective Lens Assembly 6
- Filter Slider Assembly 6

OPERATION 7-10

- Dimmer (Illumination) Control 7
 - Illumination Pre-configured for Each Objective 7
 - Learning Function 7
- LCD Settings Control 7
- Objective Select Wheel 8
- Focus Control 8
- Phase Annuli Select Wheel 8
- Mechanical Stage Operation 9
- Secure Digital (SD™) Card 9
- Image Capture Button 10
- Micron(EVOS) via USB Connection 11
 - Installing Micron(EVOS) Software 11
 - Installing Driver 11
- Working With DNG Files in Micron(EVOS) 12
- LCD Positioning 12

MAINTENANCE 13-14

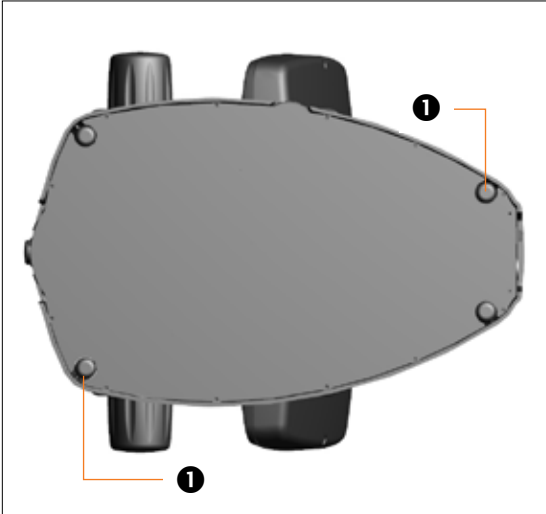
- LCD Screen Care 13
- Objective Lens Care 13
- Stage Care 13
- Firmware Update 14

PARTS & ACCESSORIES 15

CUSTOMER SERVICE 16

GENERAL INFORMATION

Figure 1



ENVIRONMENTAL CONCERNS

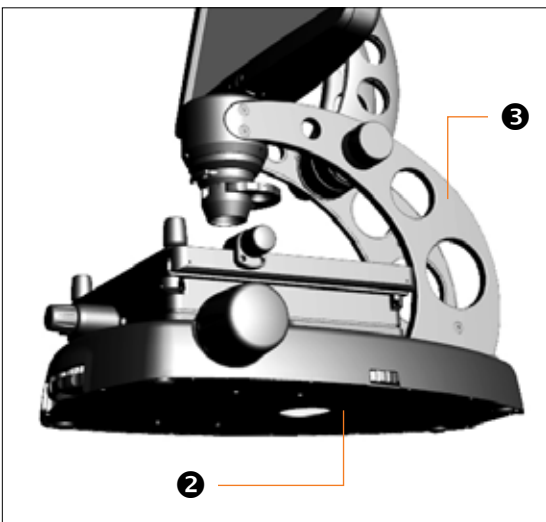
(Figure 1)

- Place the microscope on a level surface away from vibrations of other pieces of equipment. To protect your microscope from environmental vibrations, we offer a tabletop Anti-Vibration Platform (part # AMEP-VIP1) custom designed for EVOS.

Note: Use the 4 **adjustable rubber feet 1** on the bottom of the base to adjust the microscope for uneven surfaces.

- Ambient room lighting and sunlight from nearby windows can enter the imaging path and affect the image.

Figure 2



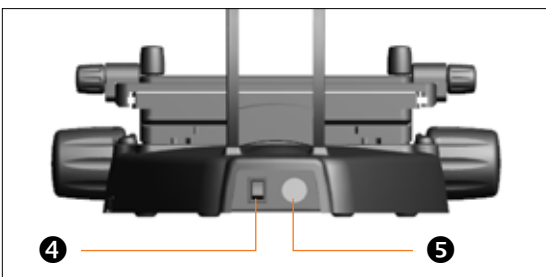
SPECIAL PRECAUTIONS

(Figure 2)

When cleaning optical elements, use only materials that are specifically made for that purpose. Further, we recommend soft, low-lint, cloth materials. To avoid scratching the soft lens coatings, do not use paper-based materials.

- Always carry the microscope with one hand supporting the **base 2** and the other hand on the **neck 3**, using correct lifting techniques.
- Do not exchange objectives between microscopes unless you know that the components have all been approved and recommended by AMG.
- If liquid spills on the microscope, turn off the power immediately and wipe dry.
- Never disassemble or service the microscope yourself. Unauthorized repairs may damage the microscope or alter its functionality, and they will void your warranty.
- After using, cover the microscope with a dust cover.

Figure 3



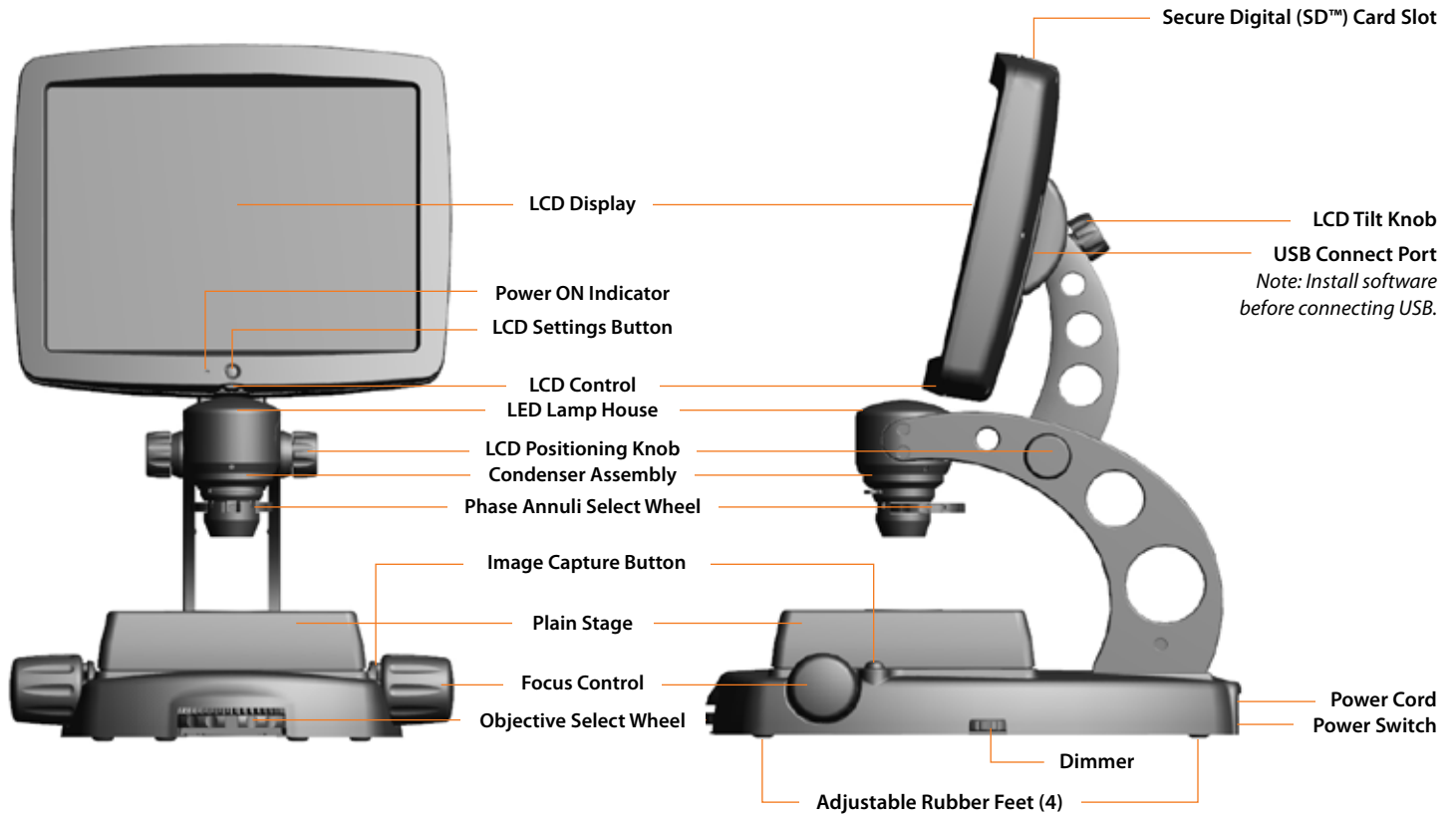
ELECTRICAL INFORMATION

(Figure 3)

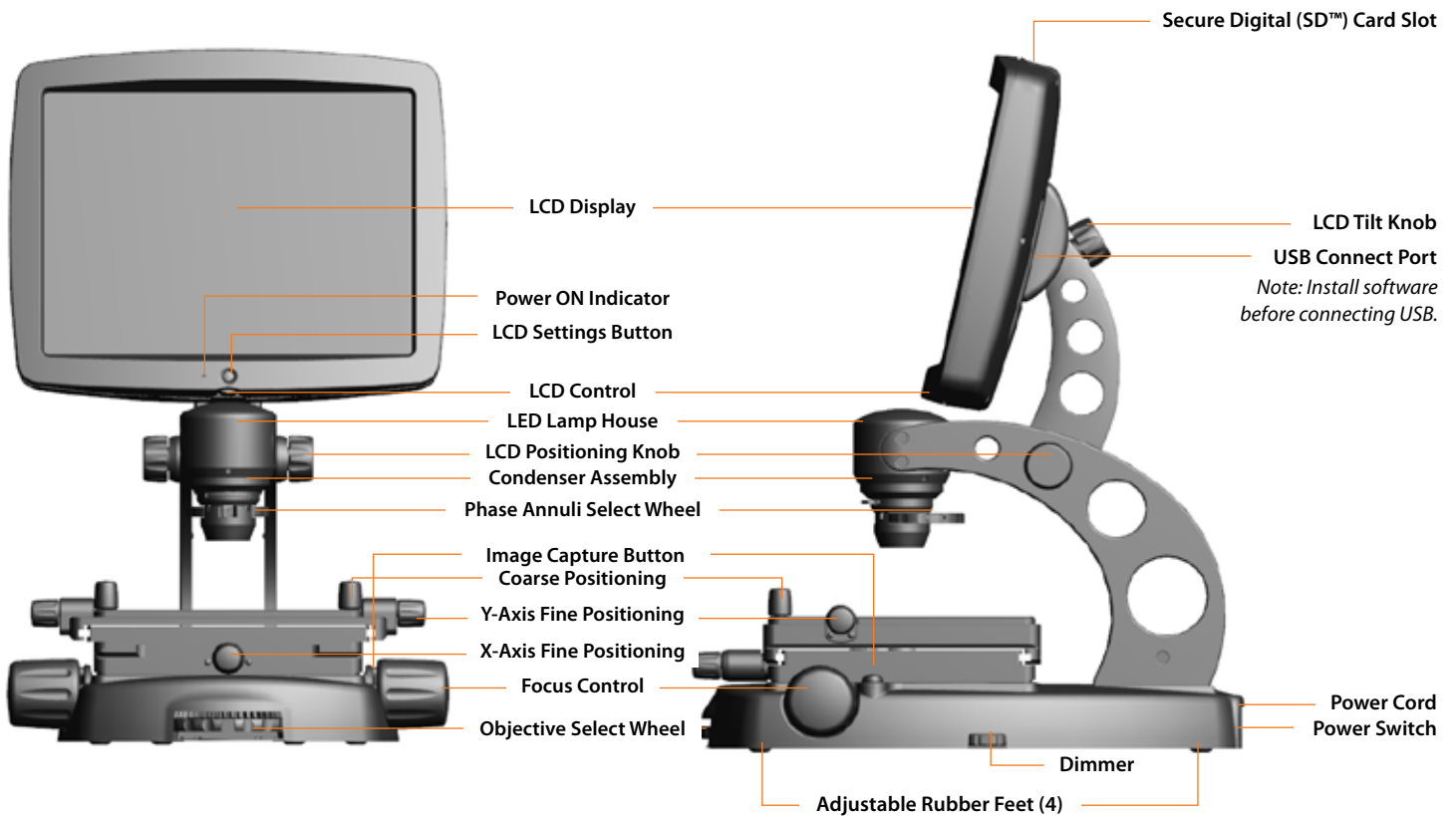
- The **power switch 4** is located on the back of the microscope.
- The detachable **power cord output connection 5** is located next to the **power switch**.

GENERAL INFORMATION

PLAIN STAGE



MECHANICAL STAGE

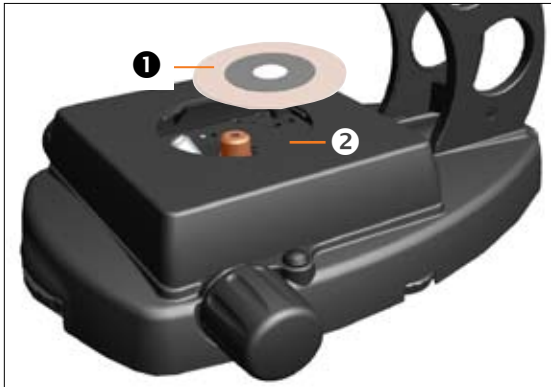


SPECIFICATIONS



EVOS SPECIFICATIONS	
Optics	Infinity corrected optical system
Standard Objectives	LWD; 4xBF, 10xPh, 20xPh; 40xPh (optional)
Olympus Objectives	LWD; 4xPh; 10xPh, 20xPh; 40xPh (optional)
Objective Turret	4-position, with front-mounted control
LCD Display	15", color, 1024 x 768 pixels, controls for backlight contrast and saturation; adjustable positioning
Camera	3MP color CMOS
Captured Image Resolution	2048 x 1536 pixels
Captured File Format	DNG file format; 3MB/image
Illumination	LED, 50,000-hour service life with dimmer
Contrast Methods	Brightfield and Phase Contrast
Standard Condenser	3-position turret for BF, 10x/20x Phase and 40x Phase
Olympus Condenser	3-position turret for BF, 4x Phase and 10x/20x/40x Phase
Filter Assemblies	Brightfield: Pinhole and Diffuser filters included Phase: Green filter included
Focusing	Dual, low-position controls with rubber grip
PLAIN STAGE	<ul style="list-style-type: none"> ▶ 196 mm x 196 mm (7.7" x 7.7") plain stage; ▶ low-position, 110 mm (4.3") from table;
Working Distance with Condenser	▶ 62 mm (2.4")
Dimensions	Height: 587 mm (23.1") with LCD raised to maximum; Width: 363 mm (14.3"); Depth: 449 mm (17.7")
MECHANICAL STAGE	<ul style="list-style-type: none"> ▶ x-y axis fine-positioning controls; ▶ low-position, 110 mm (4.3") from table ▶ interchangeable vessel holders available for most common shapes & sizes ▶ 110 mm x 110 mm (4.3" x 4.3") viewable area ▶ 58.0 mm (2.3")
Working Distance w/ Multi-well Stage Plate	▶ 58.0 mm (2.3")
Dimensions	Height: 587 mm (23.1") with LCD raised to maximum; Width: 363 mm (14.3"); Depth: 449 mm (17.7")
Weight	11.8 Kg (26 Lb.) - PLAIN STAGE 13.6 Kg (30 Lb.) - MECHANICAL STAGE
Storage Device/Output	Secure Digital (SD™) card or USB2 connection to PC
Software	Micron(EVOS) imaging software (included)
CE Power Supply	AC Adapter; Input 100-240V, 50-60Hz, 0.5A; Output 12 VDC

Figure 1



STAGE PLATE ASSEMBLY

PLAIN STAGE

(Figure 1)

The PLAIN STAGE assembly is pre-installed and pre-positioned at AMG. Simply install the **circular stage plate** 1 into the round opening in the stage 2..

Figure 2



MECHANICAL STAGE

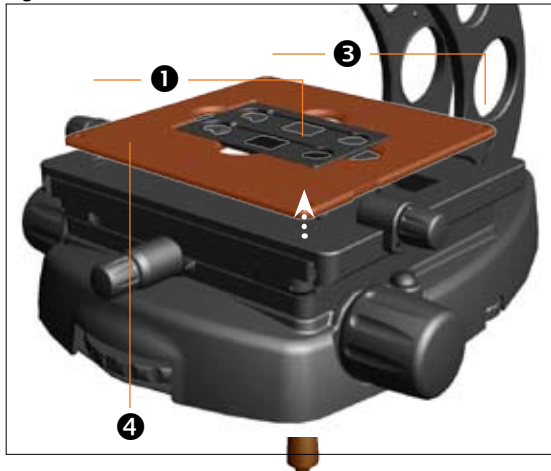
(Figures 2 & 3)

For AME i2111/2 and AME 3205/6 Series (MECHANICAL STAGE) microscopes, follow the procedures below before use.

1. Screw in the 2 **coarse positioning knobs** 1 into the front right and left-hand corners of the stage assembly.
2. Remove the **stage lock pin** 2 on the back right-hand corner.

Note: The **stage lock pin** 2 is used to secure/hold the mechanical stage in place when transporting or moving the unit.

Figure 3

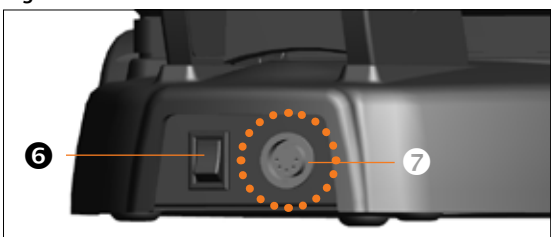


CHANGING STAGE PLATES (MECHANICAL STAGE)

(Figure 3)

1. Unscrew the two 3 mm **hex screws** 3 from the back of the stage with a hex tool (*included*).
2. Unscrew the 2 **coarse positioning knobs** 1 from the front of the stage.
3. Carefully lift the **stage plate** 4 off from the stage assembly and replace.
4. Reattach all screws to secure.

Figure 4



POWER CORD ASSEMBLY

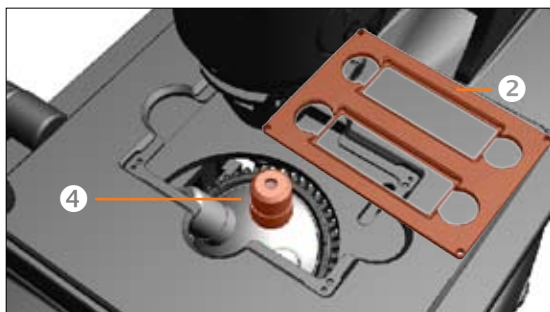
(Figure 4)

1. Turn the **power switch** 6 to the "O" (OFF) position before connecting the power cord (transformer unit).
2. Insert the plug into the **power outlet** 7 on the back of the microscope.
3. Insert the 3-prong plug from the power supply into a power socket.

Figure 1



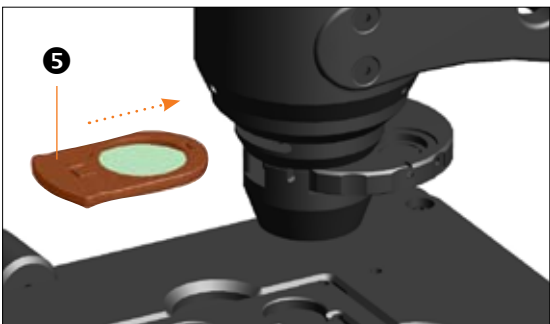
Figure 2



IMPORTANT!

Use a filter assembly for brightfield.

Figure 3



OBJECTIVE LENS ASSEMBLY

(Figure 1 - PLAIN STAGE)

(Figure 2 - MECHANICAL STAGE)

The color-coded objectives match the color-coding label on the objective turret. When properly installed, EVOS will “know” which objective is in place and adjust the lighting and image capture parameters to suit.

1. Carefully remove the **circular stage plate** ① (PLAIN STAGE) or the **vessel holder** ② (MECHANICAL STAGE) from the stage assembly.
2. To prevent contamination to optical components, turn the **objective select wheel** ③ left 1/2 click, to move the **objective turret** ④ away from the optical path, before removing and installing the objective.
3. Install the objectives into the corresponding positions in the **objective turret** located inside the stage assembly (see labels).

Note: Make sure the color coding on the objectives matches the color coding label on the turret so the automatic settings will work.

4. Turn the **objective select wheel** ③ to switch between objectives.

Please note that EVOS models AME-3201 and AME-3204 are configured for use specifically with the following objectives:

- 4x Phase Contrast, AMG part #AMEP-4602 (Olympus part #1U2C522P)
- 10x Phase Contrast, AMG part #AMEP-4603 (Olympus part #1U2C144P)
- 20x Phase Contrast, AMG part #AMEP-4604 (Olympus part #1U2C146P)
- 40x Phase Contrast, AMG part #AMEP-4605 (Olympus part #1U2C149P)

Use with any other objectives besides those listed above will void AMG’s warranty support for your EVOS model AME 3201 or AME 3204 microscope.

FILTER SLIDER ASSEMBLY

(Figure 3)

Three filter slider assemblies are included with all EVOS microscopes. For brightfield applications you **MUST** use the **Pinhole** or **Diffuser** filter.

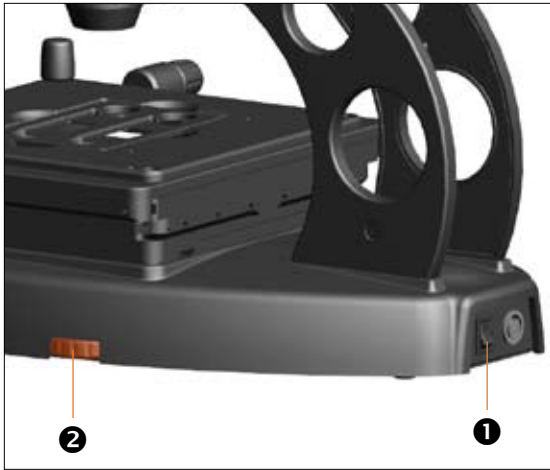
Due to variances in sample size, color and thickness, actual filter use may differ from the standard filter use described below.

- **Pinhole filter slider assembly:** brightfield, low magnification (4x/10x)
- **Diffuser filter slider assembly:** brightfield, high magnification (10x/20x/40x)
- **Green filter slider assembly:** may be used for phase-contrast at all magnifications (optional)

Note: AMG strongly recommends **NOT** replacing or tampering with the lens element as it may cause damage to the filter assembly.

1. Insert the **filter slider assembly** ⑤ into the filter slider slot on the condenser assembly.
2. Adjust focus, contrast, and/or illumination and view specimen on screen.

Figure 1



DIMMER (ILLUMINATION) CONTROL

(Figure 1)

1. Turn the **power switch 1** to the “I” (ON) position.
2. Rotate the **dimmer control 2** located on the bottom right-hand side of the microscope base to adjust brightness/intensity.

Illumination Pre-configured for Each Objective

The illumination/brightness levels on EVOS microscopes are preconfigured for each individual objective for optimal performance. The microscope is set to recognize each objective automatically as the **objective select wheel** rotates.

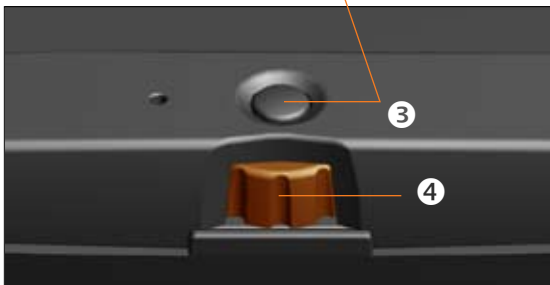
Learning Function

EVOS microscopes are equipped with a memory function that remembers the last automatic or manual illumination setting that was used for each individual objective, **EVEN AFTER BEING POWERED OFF**. As the objectives are switched, illumination values return to the last set levels for each objective.

Figure 2



Figure 3



LCD SETTINGS CONTROL

(Figures 2 & 3)

The **LCD settings button 3** gives the user direct control for the following LCD display settings:

- ▶ **BACKLIGHT**
- ▶ **CONTRAST**
- ▶ **SATURATION**

1. Press the **LCD settings button 3** to initiate settings control mode.
2. Turn the **LCD control 4** to adjust the setting (8 levels available) to desired view.
3. When finished, wait approximately 4 seconds for the settings panel to close.

Figure 1

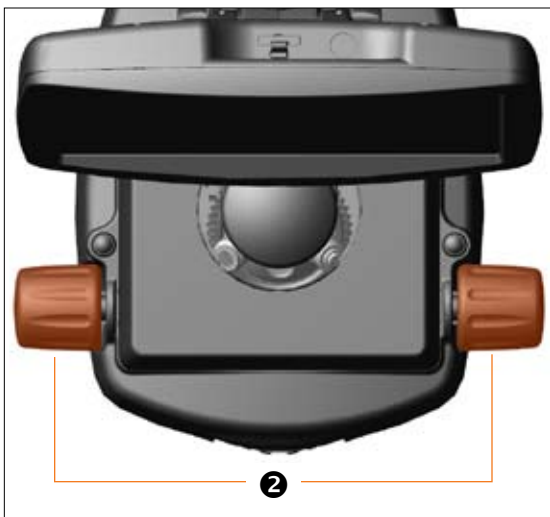


OBJECTIVE SELECT WHEEL

(Figure 1)

1. Rotate the **objective select wheel** ① located at the bottom center of the microscope base until a desired objective is in position (*see label*).
2. The microscope will automatically recognize each individual objective and use the pre-configured illumination settings for optimal performance.
3. Rotate the **phase annuli select wheel** ③ to the position that corresponds with the respective objective.

Figure 2



FOCUS CONTROL

(Figure 2)

1. **Focus control** ② knobs are located on both sides of the microscope. *Backward* rotation will move the objective away from the specimen and *forward* rotation will move it toward the specimen.
2. Rotate as necessary to adjust focus of the specimen on screen.

Note: Every EVOS microscope has a safety feature that incorporates a “slip-clutch” mechanism to protect the objectives. When the objective turret reaches the end of its travel range, the clutch makes a “clicking” sound as the **focus control** continues to turn. The objective does not move past the acceptable range.

Figure 3



PHASE ANNULI SELECT WHEEL

(Figure 3)

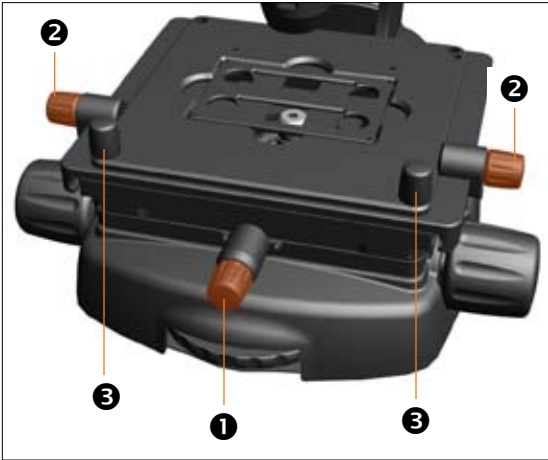
Phase rings are pre-installed and pre-aligned on the **phase annuli select wheel** ③ for optimal performance. Realignment or re-centering is not required. For all service needs, refer to the **Customer Service** section.

EVOS microscopes have 3 positions for phase contrast:

STANDARD OPTICS	OLYMPUS OPTICS
▶ brightfield (BF)	brightfield (BF)
▶ 10/20x phase	4x phase
▶ 40x phase	10x/20x/40x phase

Note: View through the small window ④ in the front of the phase condenser assembly to set the phase annuli to its respective objective. **The phase setting must correspond to the objective for proper operation.**

Figure 1



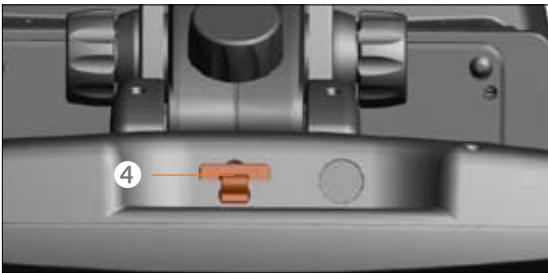
MECHANICAL STAGE OPERATION

(Figure 1)

The free-motion “glide” stage operates and moves in all directions — horizontally, vertically and diagonally.

1. Maneuver the stage freely throughout its x-y range of motion using the 2 **coarse-positioning knobs** ③.
2. Turn either of the 2 **y-axis fine-positioning controls** ② toward the front to move the stage forward and toward the back to move the stage backward.
3. Turn the **x-axis fine-positioning control** ① counter-clockwise to move the stage to the left and clockwise to move the stage to the right.

Figure 2



SECURE DIGITAL (SD™) CARD

(Figures 2 & 3)

The SD memory card slot is located on the top of the LCD display.

Note: Before using the SD card, format the disk/card by following the manufacturer's format disk procedures.

1. Gently pull out the **protective rubber cover** ④ from the LCD frame.
2. Insert the **SD card** ⑤ with the **angled corner facing bottom left-hand side** (see Figure 3) into the slot until it clicks and the card locks into position.
3. Remove the card by pressing it down to release it from the slot.

Note: Do not remove SD card until “STORING: EVOS____.DNG” clears from the LCD screen

Figure 3

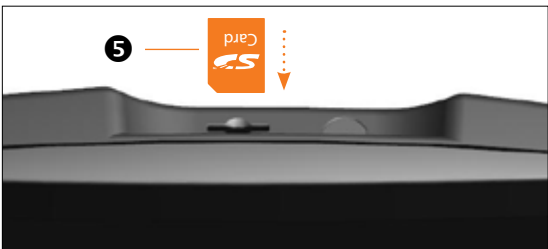


Figure 1

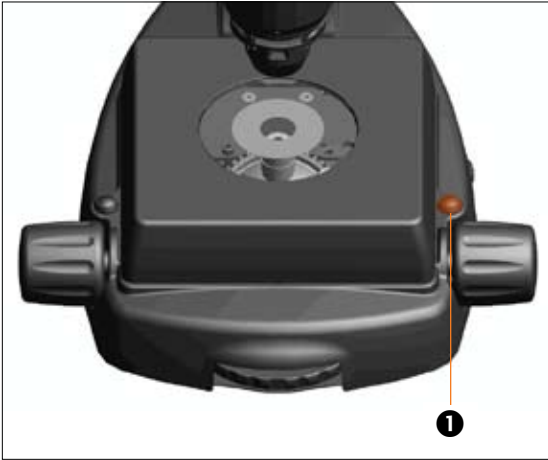


IMAGE CAPTURE BUTTON

(Figure 1)

The **image capture button 1** is located on the right-hand side of the microscope, directly behind the right **focus control**.

TO SAVE AN IMAGE ON AN SD™ CARD:

1. To capture/save an image on an SD card, insert the card into the card slot located on top of the LCD display as described on page 9.
2. Focus the image on screen to desired view.
3. Press the **image capture button 1** located behind the right **focus control**.
4. A "STORING:EVOS0000.DNG" display will flash on the LCD screen beneath the SD card slot for about 3 seconds to indicate that EVOS is saving the image onto the memory card.

TO SAVE AN IMAGE ON A PC VIA MICRON(EVOS):

1. To capture/save an image on a PC via Micron(EVOS), remove the SD™ card from the card slot (*SD card is set as default for saving images*).
2. Connect the USB cable after the software has been installed as described on page 11.
3. Launch Micron(EVOS).
4. Focus the image on screen to desired view.
5. Press the **image capture button 1** located above the right **focus control**.
6. Choose file name and file location when prompted.

Note: Images are saved as Digital Negative (DNG) files that can be opened with **Micron(EVOS) or other Adobe® imaging applications**. Files are **2048 x 1536 pixels** in dimension and approximately **3MB** in size.

Figure 1



MICRON(EVOS) *via* USB CONNECTION

(Figure 1)

The **USB connection port** ❶ allows images to be viewed, captured, saved, edited, and analyzed directly on a PC via a USB2 cable (*included*) with AMG's Micron(EVOS) imaging software (*included*)

❶ IMPORTANT! *Install the software before attaching the microscope to PC.*

System Requirements (*Minimum*)

- ▶ PC with Pentium® IV 1.8 Ghz CPU or higher
- ▶ Windows® XP Operating System
- ▶ 30 MB of hard drive space for application software
- ▶ One open USB 2.0 port (*Intel® chipset preferred*)
- ▶ 256 MB RAM



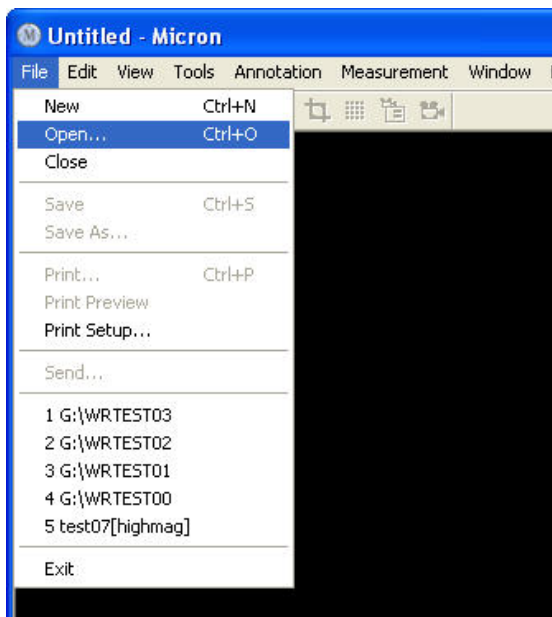
INSTALLING MICRON(EVOS) SOFTWARE

1. Insert Micron(EVOS) software CD into CD drive
2. At the *Welcome* dialog, click **Next** to continue.
3. At the *License Agreement* dialog, select “**I accept the agreement**” to continue.
4. At the *Select Destination Location* dialog, click **Next** to accept the default application location to continue.
5. At the *Select Additional Tasks* menu, choose desired placement of available icons and click **Next** to continue.
6. At the *Ready to Install* dialog, review and verify install settings and click **Install** to continue.
7. At the *Information* screen, click **Next** to continue.
8. At the *Completion* screen, click **Finish** to finalize software installation.

INSTALLING DRIVER

1. After installing Micron(EVOS), connect the microscope to a PC using the USB2 cable (*included*).
2. When prompted, browse to the Micron CD and select the installation disk folder: **CD Drive:\Westover USB2 EVOS Installation Disk.**

Figure 1



WORKING WITH DNG FILES IN MICRON(EVOS)

DNG (Digital Negative) files saved on the SD™ card using EVOS can be opened in Micron(EVOS) or other Adobe imaging applications (*for installation procedures, see **Installing Micron(EVOS) Software** on page 11*).

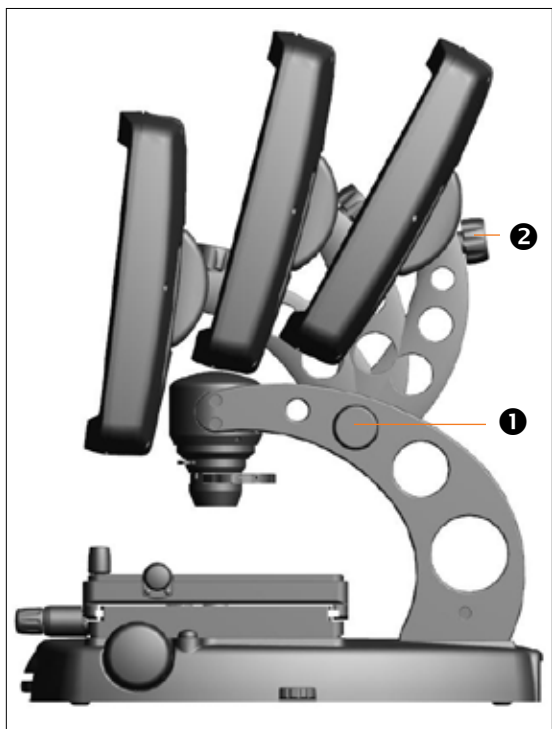
TO OPEN DNG FILES SAVED IN EVOS:

(Figure 1)

1. Insert the SD card with the saved image(s) into the card reader on your PC.
2. Open/launch Micron(EVOS).
3. Select **File > Open** from the menu toolbar (*see Figure 1*).
4. Select **Other Image Files** from **Files of type:** drop-down list.
5. Once the image is opened, select **File > Save As...** and choose a format option to save the image:
 - **.png** (Portable Network Graphic)
 - **.jpg** (JPEG)
 - **.bmp** (Bitmap)

Note: For detailed operation procedures, go to the **Micron(EVOS) User Guide (PDF)** on the Micron(EVOS) Installation CD or select **Help > User Guide...** in the Micron(EVOS) **Main** menu toolbar to access the guide.

Figure 2



LCD POSITIONING

(Figure 2)

There are 2 **LCD positioning knobs 1** located on either side of the microscope that control the vertical placement of the LCD screen and 1 **LCD tilt knob 2** that controls the angle of the LCD screen. Loosen and tighten as necessary to get the desired position for optimal view.

LCD DISPLAY/SCREEN CARE

TO CLEAN THE LCD SCREEN:

1. Turn the power OFF.
2. Use a soft, dry, lint-free cloth to wipe off any dust from the screen.
3. For blemished areas, use a cleaner that is intended for LCD (liquid crystal display) screens only. *Do not spray directly onto the screen, as it may drip into the display.* Dampen a clean cloth to wipe the screen.

OBJECTIVE LENS CARE

Clean each objective periodically or when necessary with a clean lint-free cloth and lens cleaning solution. To avoid scratching the soft lens coatings, do not use paper-based materials.

Note: *To protect all optical components of the microscope, use the dust cover (included) when the microscope is not in use.*

STAGE CARE

- ▶ Clean the stage regularly to keep it dry and clear of debris.
- ▶ When moving Mechanical Stage microscopes, be sure to lock the stage with the **stage lock pin** to prevent the stage from sliding around.

Note: *To protect all optical components of the microscope, use the dust cover (included) when the microscope is not in use.*

Figure 1

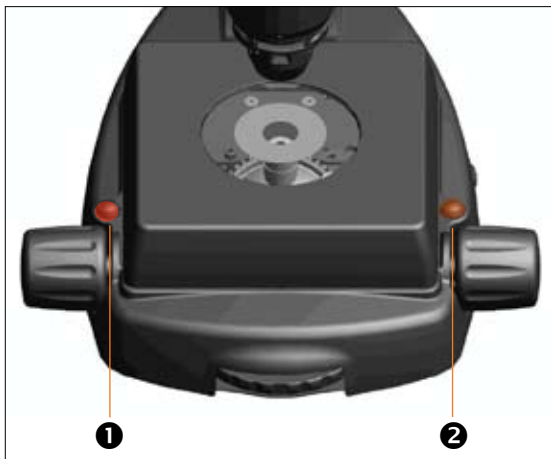


Figure 2

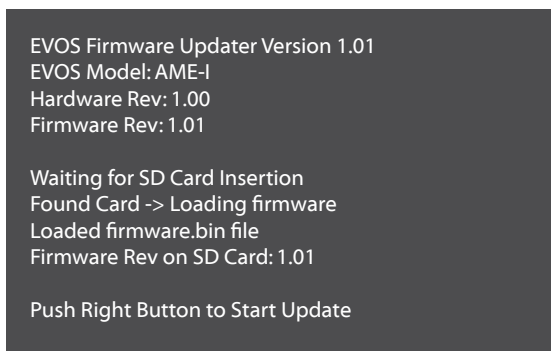
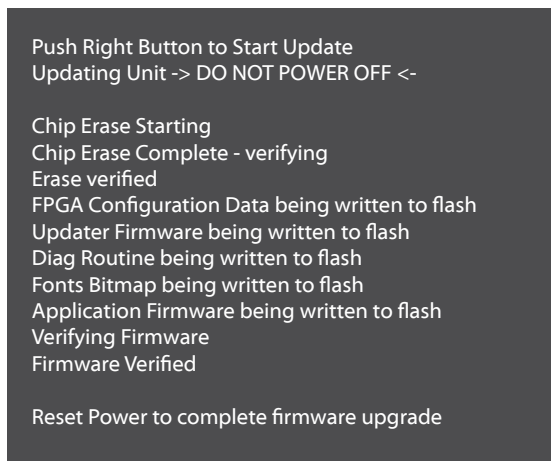


Figure 3



FIRMWARE UPDATE

TO UPDATE FIRMWARE:

1. Download the latest EVOS firmware onto an SD™ card from the AMG web site.
2. Turn power OFF.
3. Insert the SD card into the card slot.
4. **PRESS AND HOLD the Firmware Update Button (LEFT) ①** while turning the power ON (see Figure 1).

5. When the microscope powers on, release the **Firmware Update Button**. You will see the firmware version that is on the SD card in the 4th line of the 2nd paragraph (see Figure 2).

Firmware Rev on SD Card: X.XX

Note: If the existing firmware version is the same as the version on the SD™ card, it is not necessary to update the firmware.

6. Push the **Image Capture Button (RIGHT) ②** (see Figure 1) to start the update.
7. The screen will display the update progress (see Figure 3).

Note: **DO NOT POWER OFF** while the firmware is being updated. The update will take approximately 3 minutes to complete.

TO VERIFY FIRMWARE VERSION:

1. Turn power OFF.
2. **PRESS AND HOLD the Firmware Update Button (LEFT) ①** while turning the power ON (see Figure 1).
3. When the microscope powers on, release the **Firmware Update Button**. The screen will display the EVOS model number, hardware version, and firmware version (see Figure 2).

PARTS & ACCESSORIES

EVOS Microscopes with Olympus Optics

Item	Part Number
PLAIN STAGE: no objectives included	AME-3201
PLAIN STAGE: 4xPh, 10xPh, 20xPh	AME-3202
PLAIN STAGE: 4x, 10xPh, 20xPh, 40xPh	AME-3203
MECHANICAL STAGE: no objectives included	AME-3204
MECHANICAL STAGE: 4xPh, 10xPh, 20xPh	AME-3205
MECHANICAL STAGE: 4x, 10xPh, 20xPh, 40xPh	AME-3206

NOTE: EVOS microscopes with Olympus Optics are configured for use specifically with the Olympus objectives listed below. Use with any other objective besides those Olympus objectives listed below will void AMG's warranty support for your EVOS microscope. with Olympus Optics.

Objectives, Olympus

Item	AMG Part No.	Olympus Part No.
4x Phase Objective	AMEP-4602	1-U2C522P
10x Phase Objective	AMEP-4603	1-U2C144P
20x Phase Objective	AMEP-4604	1-U2C146P
40x Phase Objective	AMEP-4605	1-U2C149P

EVOS Microscopes with Standard Optics

Item	Part Number
MECHANICAL STAGE: 4x, 10xPh, 20xPh	AME-i2111
MECHANICAL STAGE: 4x, 10xPh, 20xPh, 40xPh	AME-i2112
PLAIN STAGE: 4x, 10xPh, 20xPh	AME-i2101
PLAIN STAGE: 4x, 10xPh, 20xPh, 40xPh	AME-i2102

NOTE: Objectives are not interchangeable between EVOS systems with differing optics packages.

Objectives, Standard

Item	Part Number
4x Objective	AMPI-OP004
10xPh Objective	AMPI-OP010PC
20xPh Objective	AMPI-OP020PC
40xPh Objective	AMPI-OP040PC

Vessel Holders

Item	Part Number
Vessel Holder for Slides; holds two 12mm x 75mm standard microscope slides , chamber slides, etc.	AMEP-VH001
Vessel Holder for Petri Dishes; holds four 35mm dishes	AMEP-VH002
Vessel Holder for Petri Dishes; holds two 60mm dishes	AMEP-VH003
Vessel Holder for Petri Dish; holds one 100mm dish	AMEP-VH004
Vessel Holder for T-flasks; holds two 25cm² flasks , rectangular or triangular	AMEP-VH005
Vessel Holder for Nunc T-75 Flask; holds one 75cm² flask	AMEP-VH006
Vessel Holder for Hemacytometer; holds one 76mm x 33mm standard hemacytometer	AMEP-VH007
Vessel Holder for BD/Greiner T-75 flask; holds one 75cm² flask	AMEP-VH008
Vessel holder for all vessel types ; plain stage functionality	AMEP-VH009
Vessel Holder for BD/Greiner T-25 flask; holds one 25cm² flask	AMEP-VH010

Accessories

Item	Part Number
Power Adapter	ZP-EC-00436
Dust Cover	ZP-PKG-0403
Circular Metal Stage Plate (Plain Stage)	AMPI-MSP1
USB2 Cable	ZP-EC-00365
Anti-Vibration Platform	AMEP-VIP1

Filter Slider Assemblies

Item	Part Number
Filter Slider Assembly – Green	AMEP-CFG
Filter Slider Assembly – Pinhole	AMEP-AS15
Filter Slider Assembly - Diffuser	AMEP-DFS1



ADVANCED MICROSCOPY GROUP

CONTACT INFORMATION

TOLL FREE (US & Canada)

▶ Customer & Technical Service **866-614-4022**

Local & International

▶ Customer & Technical Service **425-368-0444**

▶ Fax **425-368-0555**

▶ E-mail **info@amgmicro.com**

▶ Web site **www.amgmicro.com**

Advanced Microscopy Group customer service business hours are 8:00 a.m. – 4:00 p.m. Pacific Standard Time. After hours, you may leave a telephone message. We will return your call the following business day.

Disclaimer

Information provided by Advanced Microscopy Group, Inc. is believed to be accurate and reliable. However, no responsibility is assumed by Advanced Microscopy Group for its use. The information contained in this publication is subject to change without notice. Words that Advanced Microscopy Group considers trademarks have been identified as such. However, neither the presence nor absence of such identification affects the legal status of any trademark. Units of measurement in this document conform to SI standards and practices. All rights reserved. No part of this publication may be reproduced, stored in a retrieval system, or transmitted in any form, be it electronically, mechanically, or by any other means such as photocopying, recording, or otherwise, without the prior written permission of Advanced Microscopy Group.

Thanks for being our valued customer! Advanced Microscopy Group, Inc. is a Seattle-area (Mill Creek, WA) optical equipment design and manufacturing firm with a domestic and international client base. Advanced Microscopy Group designs, develops, and manufactures optical systems and software for scientific, biotechnology, industrial, and educational fields.

WARRANTY INFORMATION

Statement of Limited Product Warranty

EVOS™ microscopes are warranted to be free of all defects in material and workmanship for a period of 60 months (5 years) from the date of delivery. The warranty does not apply to any instrument which has become worn, defective, damaged, or broken due to normal wear, abuse, misuse, tampering, or unauthorized repairs. Under this warranty, Advanced Microscopy Group will repair or replace, without charge to the purchaser, any part which, upon our examination, appears to be defective in materials or workmanship.

Returned Goods Policy for Repair or Replacement Parts

To return goods for repair or replacement, please contact Advanced Microscopy Group Customer Service by one of the numbers at the left. Please be prepared to supply the following information:

- Your name, return shipping address and telephone number
- Catalog/Model number of the item(s) you are returning
- Serial Number(s), if applicable
- Description of the product's problem or reason for the return
- Date the item was purchased
- Distributor information, if applicable

A Westover Representative will issue you a Return Materials Authorization (RMA) number. Please label the outside of your shipping container with this number. For any additional information, please call Customer Support: 1-866-614-4022 or 1-425-368-0444.

ADVANCED MICROSCOPY GROUP, INC.

18421 Bothell-Everett Hwy
Suite 150
Mill Creek, WA 98012

Doc Control Number

ZP-PKG-0397

REV D2

© 2008 Advanced Microscopy Group, Inc. All rights reserved.

